

# Sample Boards 2010

---

LAST UPDATED: 29-3-2021

---

DEMO



**Contents**

**10-005 Sample Boards Meerwaldt .....3**

**10-006 Sample Boards Schreiber.....4**

**10-007 Sample Boards Buchs .....5**

**10-008 Sample Boards Shafiei.....6**

**10-008-1.....6**

**10-008-2.....7**

**10-008-3.....8**

# 10-005 Sample Boards Meerwaldt

## Connector:

1x FFC35 Right Angle

3x SMA Launch

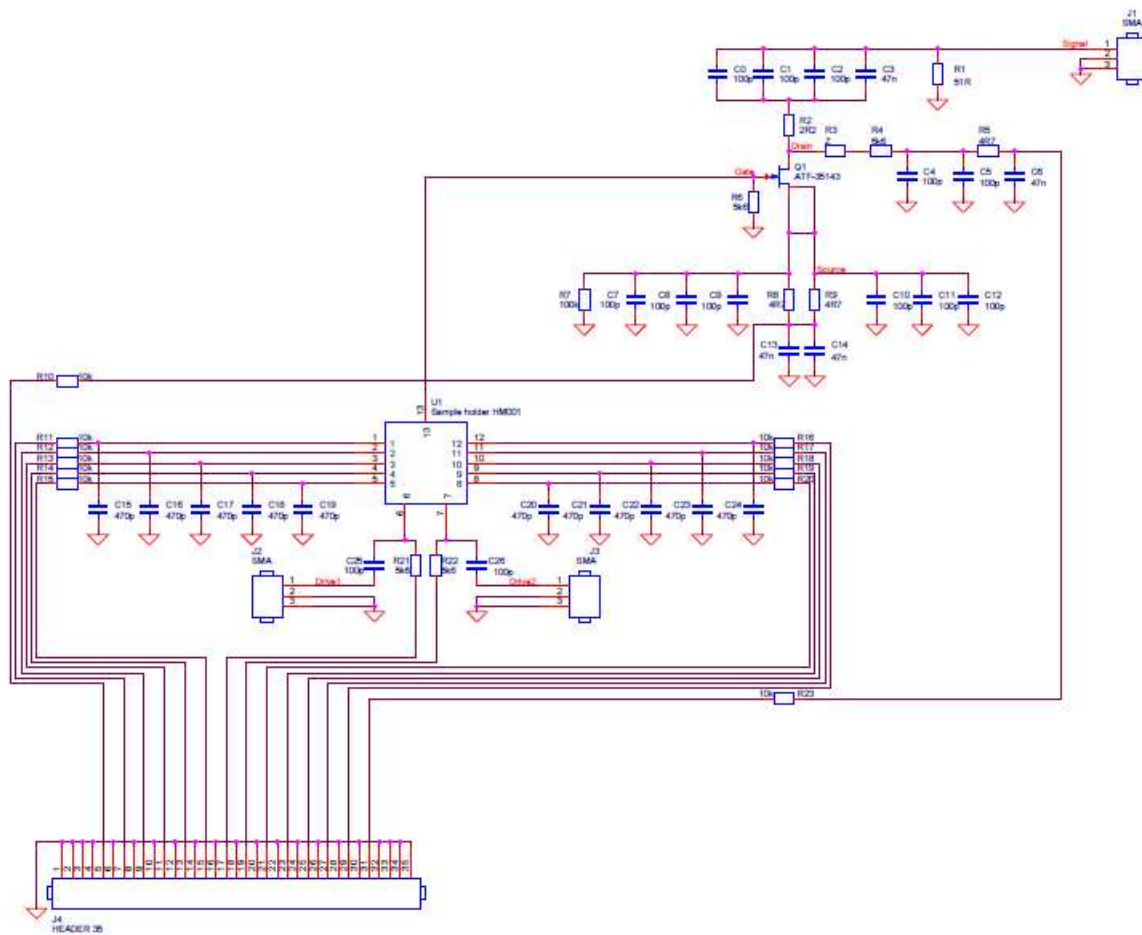
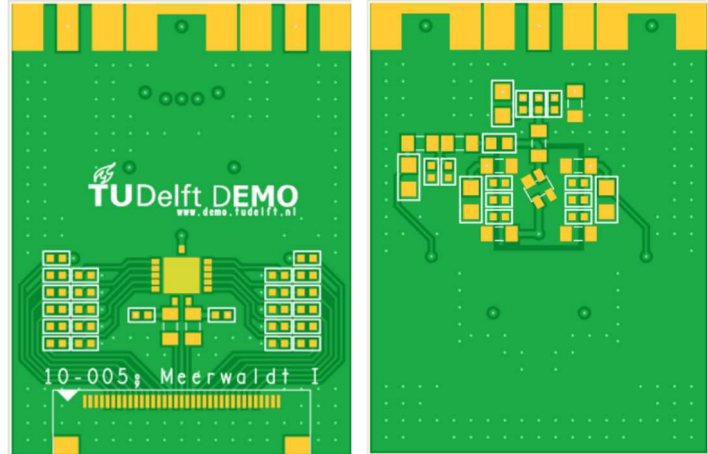
## Copper Finish:

Chemisch Ni/Au Selectief

## Size (LxWxT):

40 x 30 x 1.55

## Schematic:



# 10-006 Sample Boards Schreiber

## Connector:

- 1x FFC35 Right Angle
- 1x SMA Straight Angle
- 2x SMA Launch

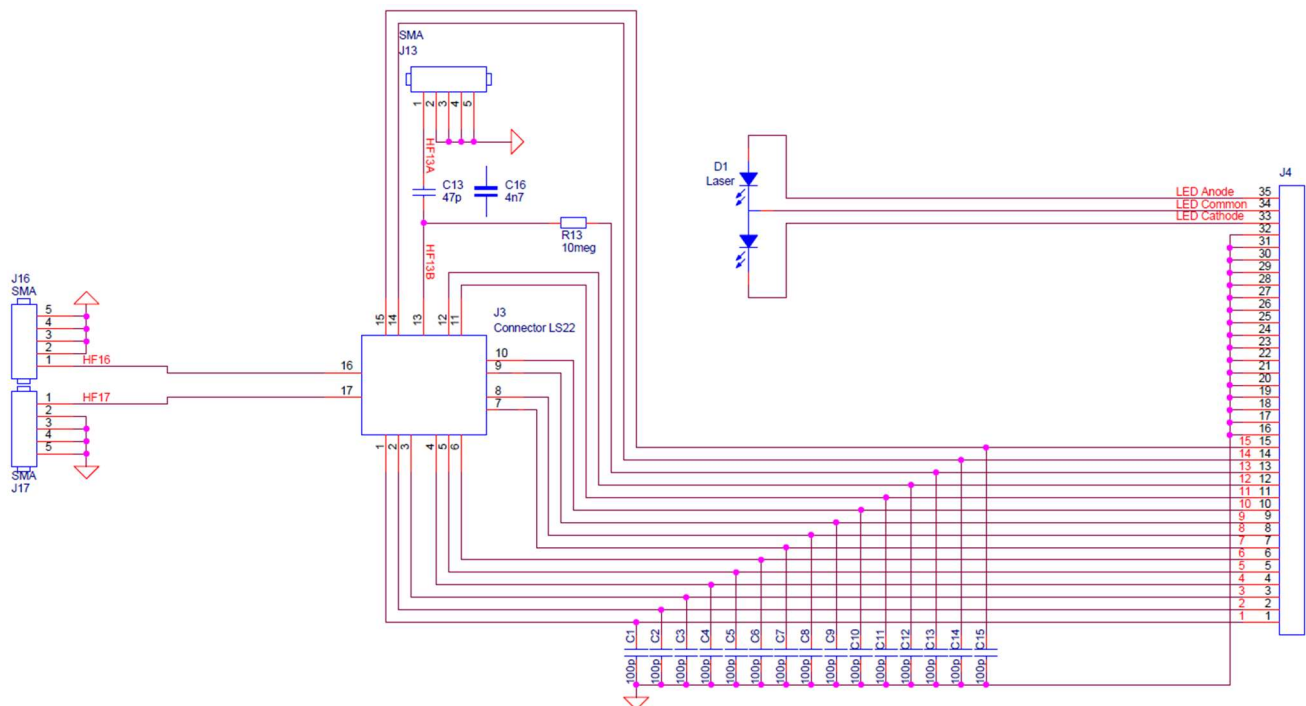
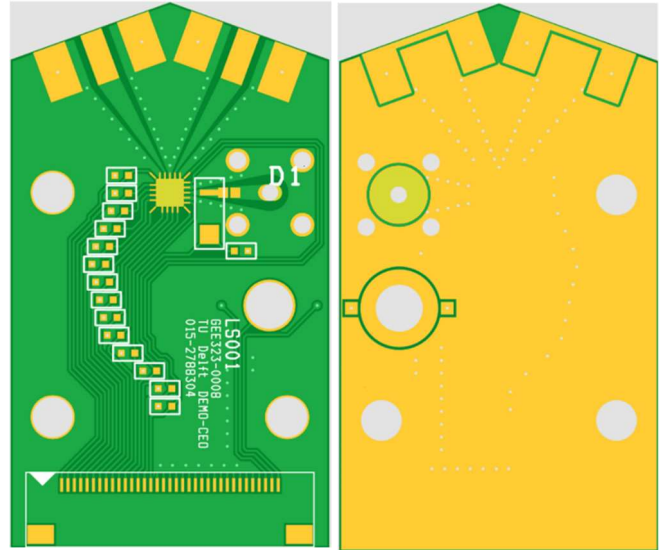
## Copper Finish:

Chemisch Ni/Au Selectief

## Size (LxWxT):

25 x 43 x 1.55

## Schematic:



# 10-007 Sample Boards Buchs

## Connector:

2x FFC35 Right Angle

1x PLCC 32 Way

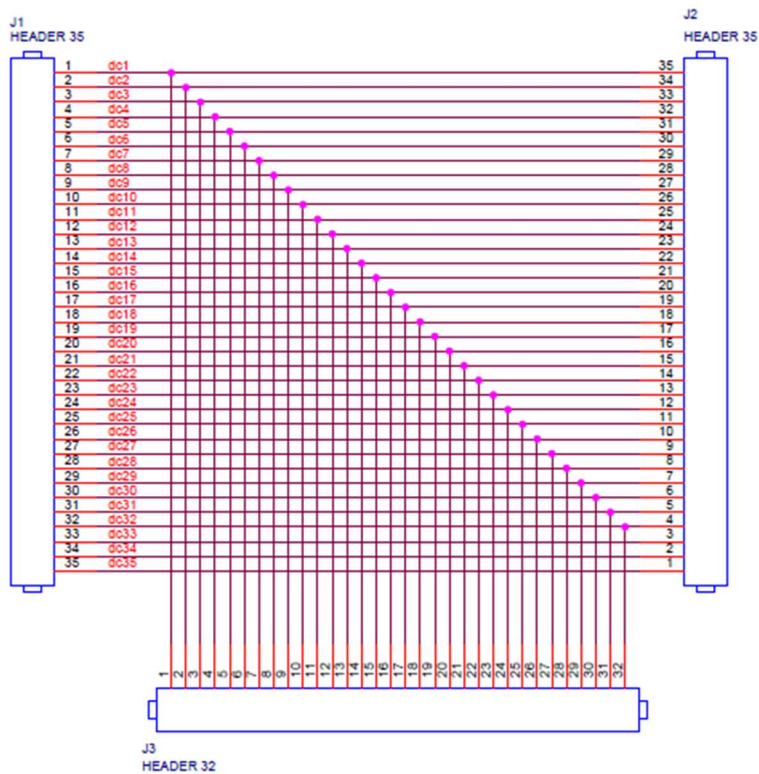
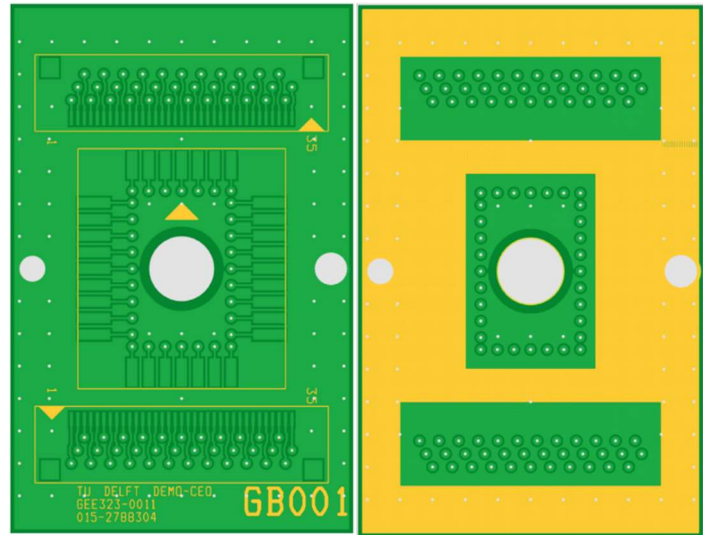
## Copper Finish:

Chemisch Ni/Au Selectief

## Size (LxWxT):

26.4 x 40.8 x 1.55

## Schematic:





# 10-008 Sample Boards Shafiei

10-008-1

**Connector:**

- 1x FFC35 Right Angle
- 1x SMA Straight Angle
- 2x SMA Launch

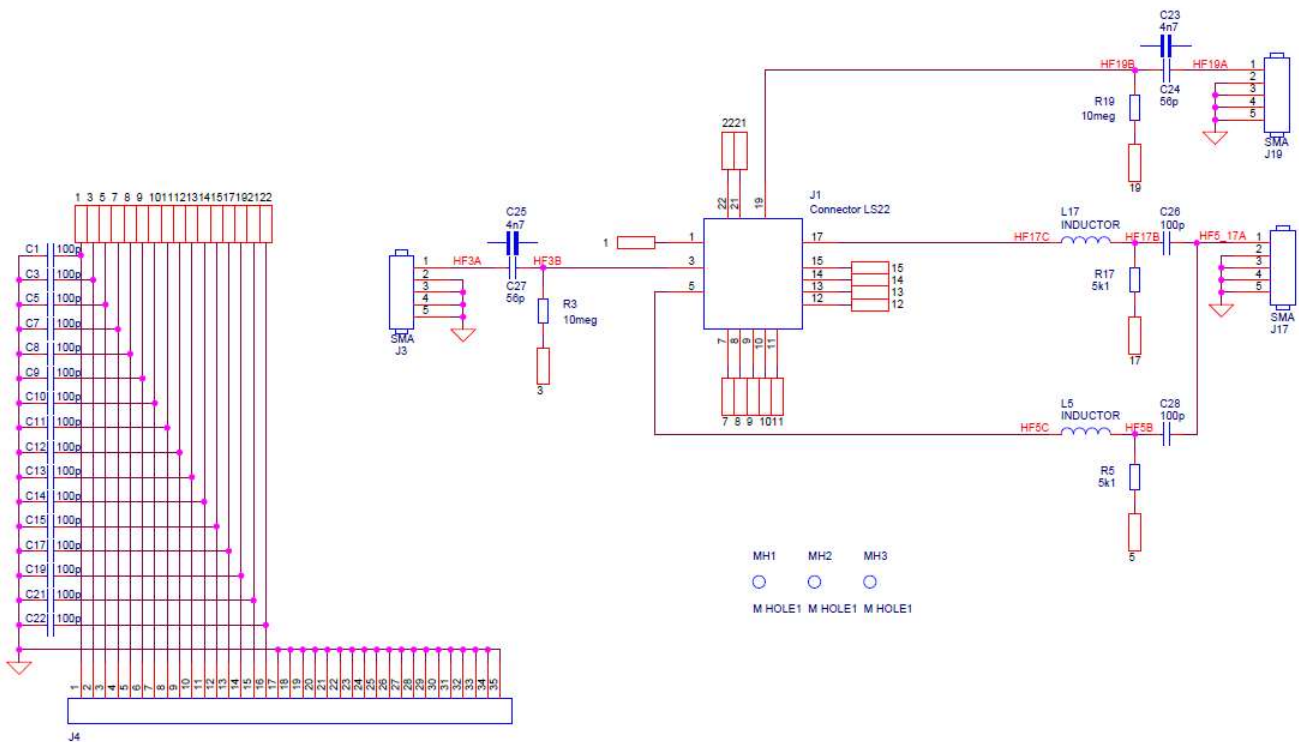
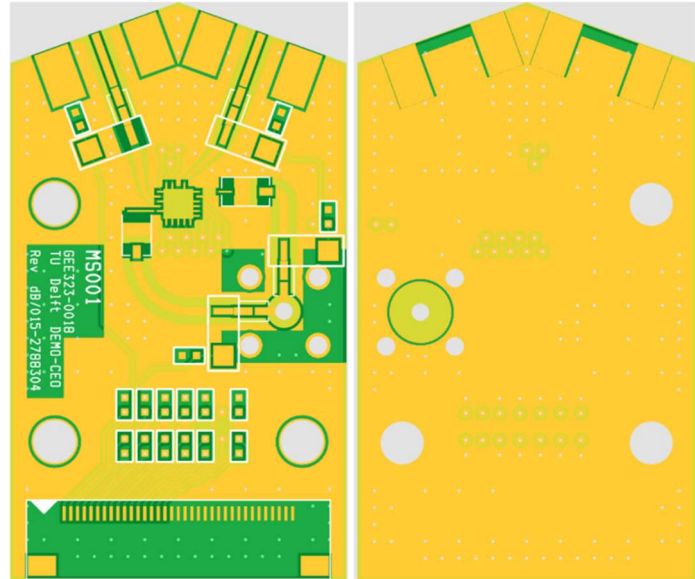
**Copper Finish:**

Chemisch Ni/Au Selectief

**Size (LxWxT):**

25 x 43 x 1.55

**Schematic:**



# 10-008-2

## Connector:

1x FFC35 Right Angle

3x SMA Right Angle

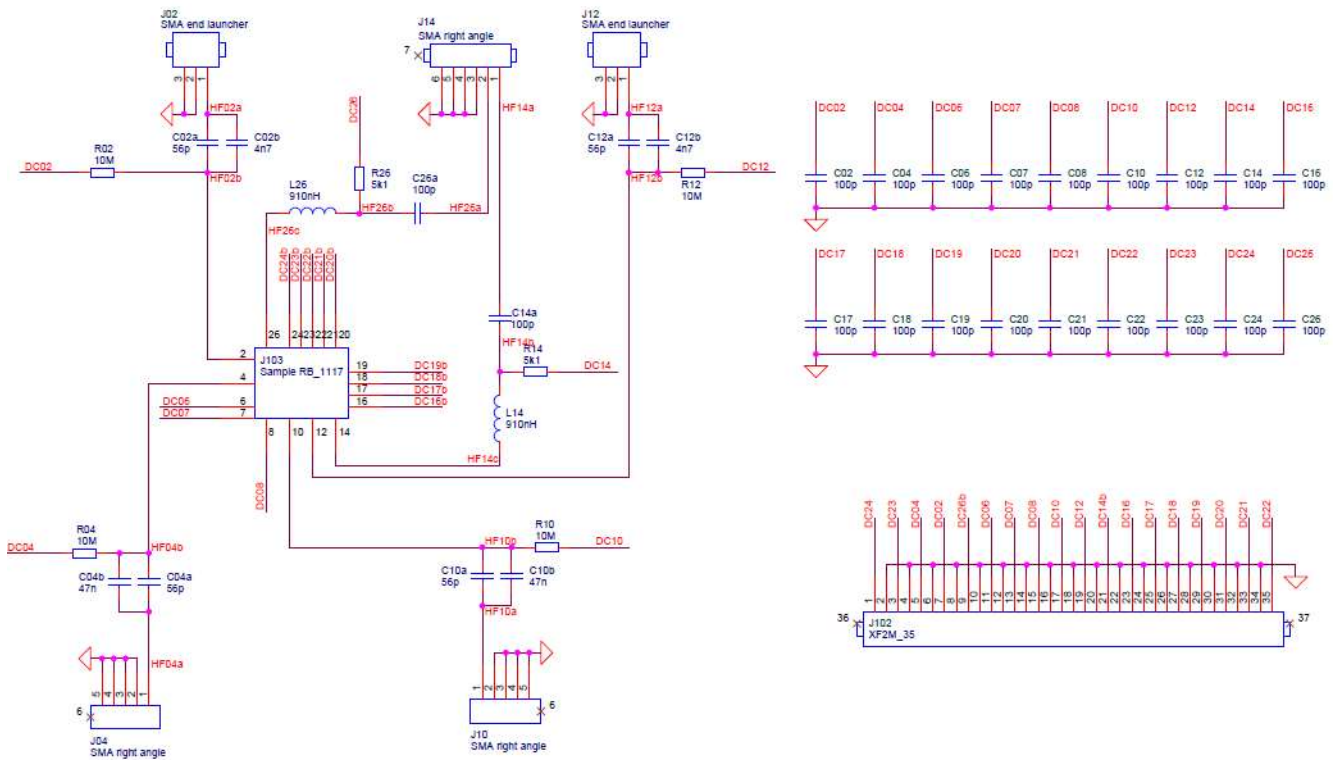
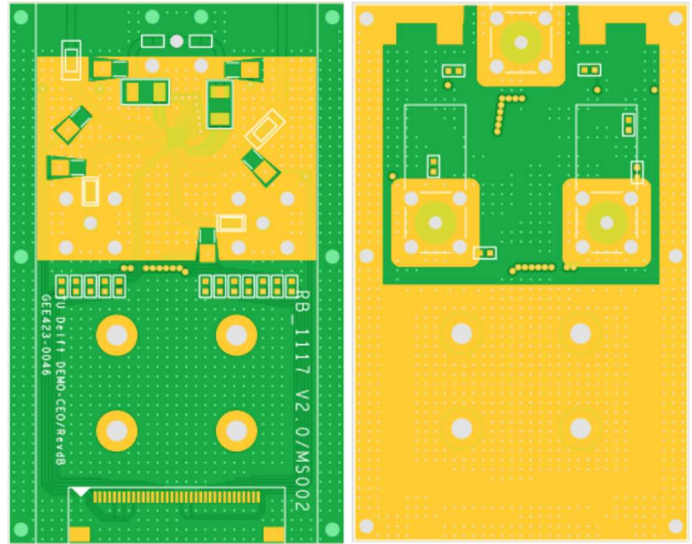
## Copper Finish:

Chemisch Ni/Au Selectief

## Size (LxWxT):

56.6 x 35.1 x 1.55

## Schematic:



# 10-008-3

## Connector:

1x FFC35 Right Angle

3x SMA Right Angle

## Copper Finish:

Chemisch Ni/Au Selectief

## Size (LxWxT):

56.5 x 35 x 1.55

## Schematic:

